

4000017570

## P-9001

Indoor Substation



Onboard communication



- Privacy functionality
- 2-way loudspeaker
- CALL and TALK button
- Complies with IEC 60945 Standard for Marine Equipment
- RMRS type approval

### DESCRIPTION

The P-9001 is a Command Intercom System (talk-back) substation for indoor environments such as cabins and mess rooms. It is 2-way loudspeaking and equipped with both a CALL and TALK button.

The unit provides privacy functionality to prevent unintended listening in.

## SPECIFICATIONS

### MECHANICAL

Dimensions (WxHxD)	100 x 130 x 56 mm
Weight	0.3 kg
Color	RAL 9005/9006
Material	PC / ABS blend, ABS
Mounting	Wall
Fixing	4 x M3 bolts
Access	Front

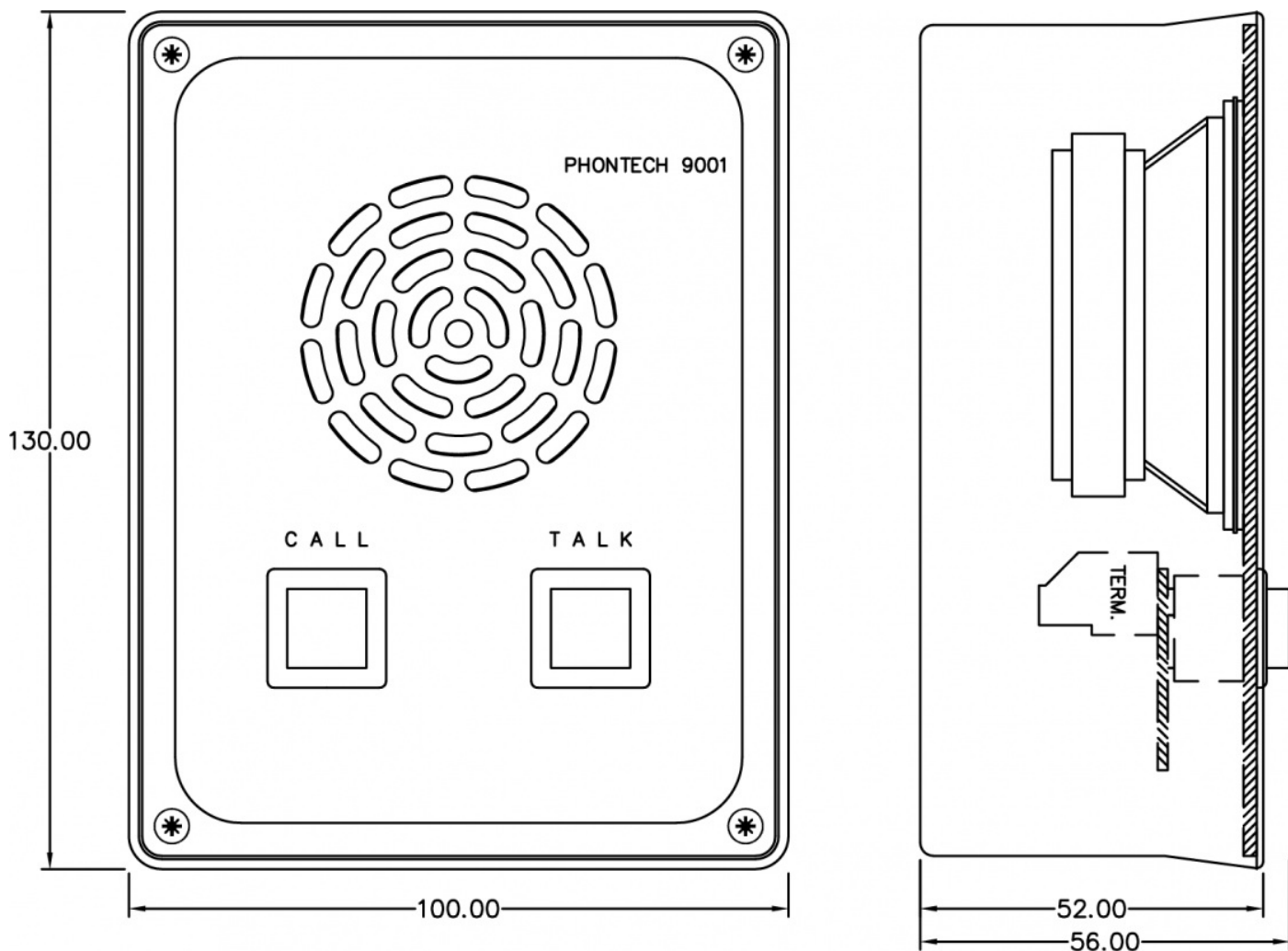
### ELECTRICAL

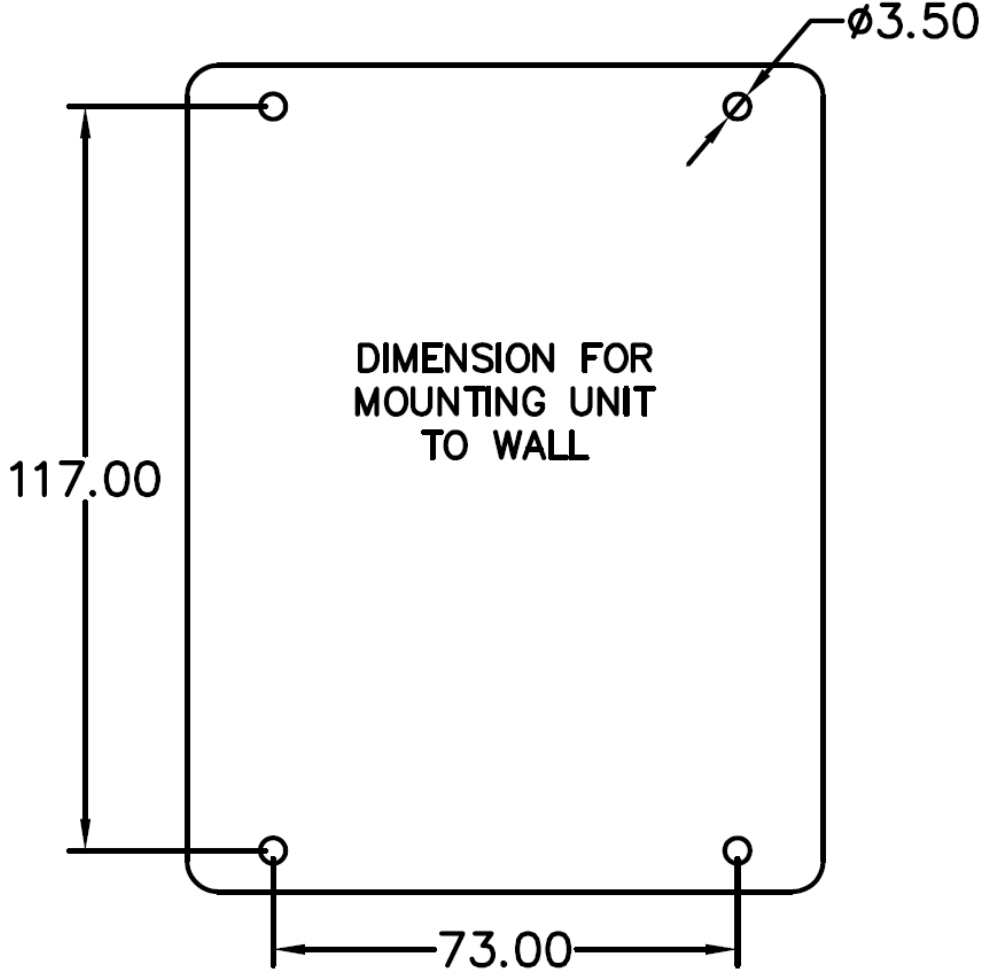
Power Supply	From central/line supply
SPL (1m)	>80 dB(A)
Termination	Screw terminals $\leq 2.5 \text{ mm}^2$
Compass Safe Distance	> 5 m

### ENVIRONMENTAL

Temperature	-15°C to +55°C
Humidity	+93% (at +40°C)
Ingress Protection Rating	IP-31

## TECHNICAL DIMENSIONS





210 x 207 mm <